

CASEMENT- & AWNING WINDOWS

BY

HH WINDOWS & DOORS

SEATTLE, WA

TEL: (206) 763-3438

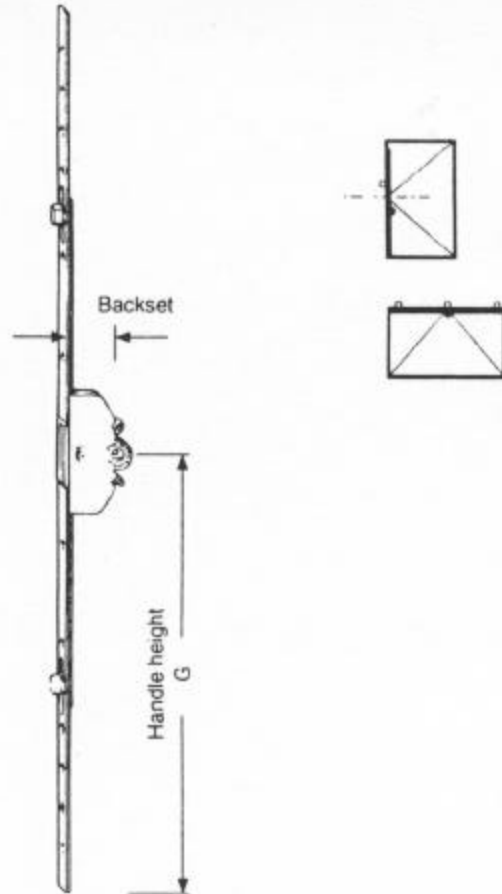
FAX: (206) 527-8724

www.HHWindows.com

KEY FEATURES:

- MULTI-POINT LOCKING HARDWARE
- 2-WAY ADJUSTABLE SASH
- 2 3/8" THICK SASH AND FRAME, WITH DOUBLE MORTISE- AND TENON JOINERY
- TRIPLE OVERLAY DESIGN PROMOTES HIGH INSULATION AGAINST AIR AND WATER PENETRATION
- ADJUSTABLE OPENING ANGLE
- FULL RANGE OF GLAZING OPTIONS
- CUSTOM SIZES AND CUSTOM DESIGN, INCLUDING NON-MULLION FRENCH-CASEMENT AND LARGE SASH SIZES
- MADE FROM LAMINATED VERTICAL GRAIN DOUGLAS FIR OR A WOOD OF YOUR CHOICE

MULTI - POINT LOCKING HARDWARE

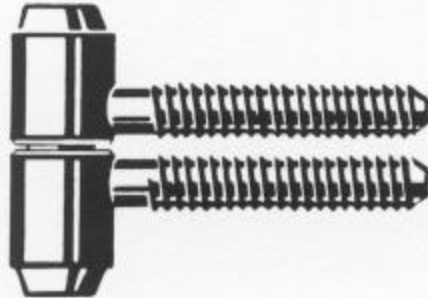
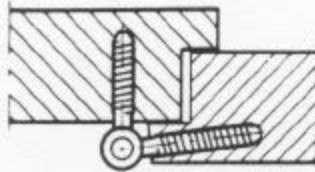


STANDARD HANDLE DESIGN

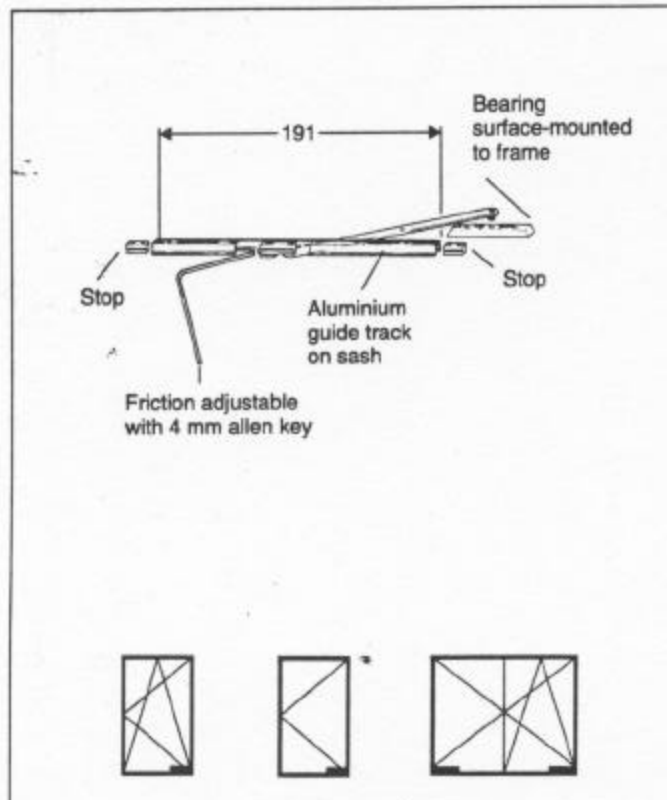
AVAILABLE IN:
BRONZE
SILVER



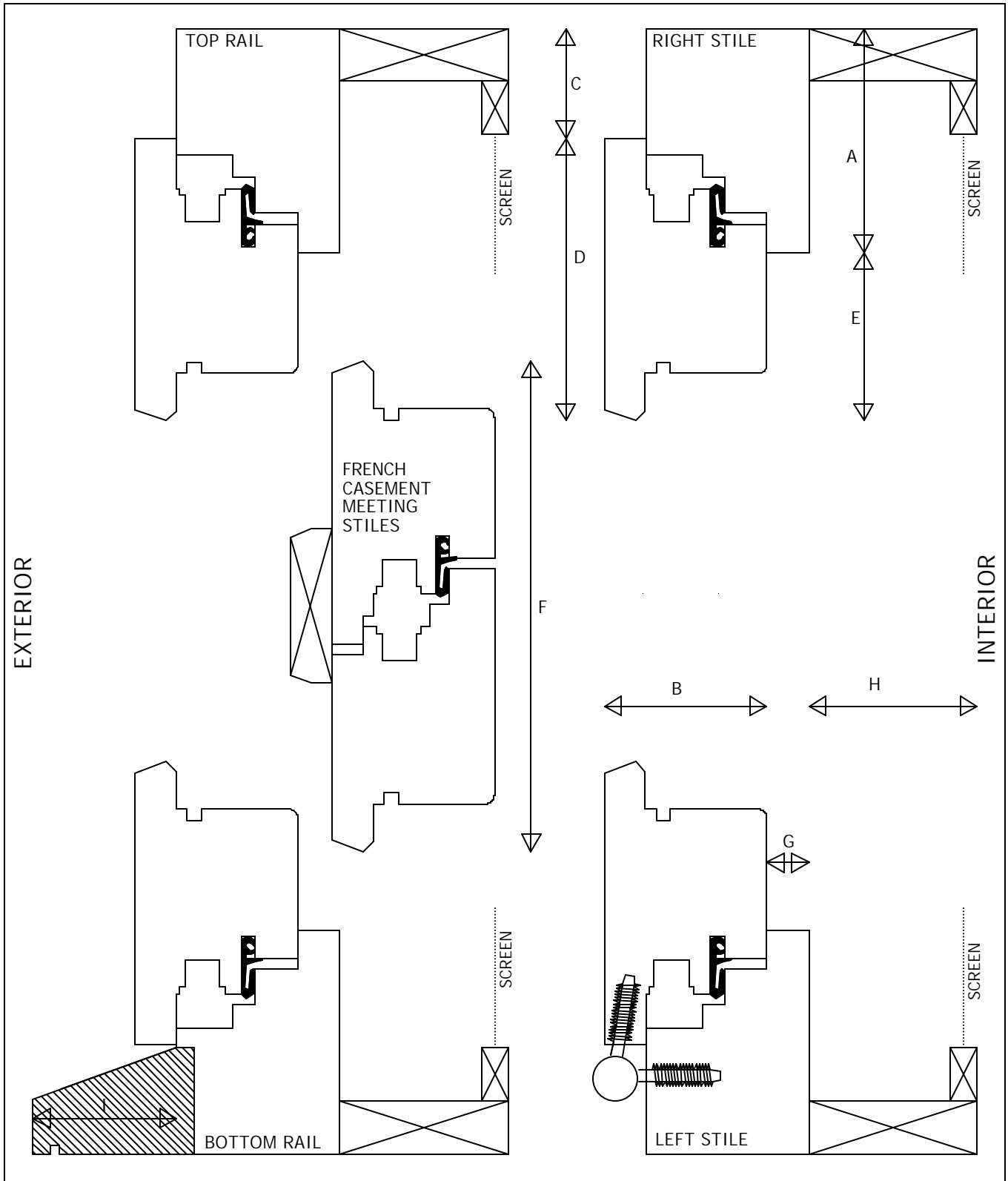
2-WAY ADJUSTABLE HINGES



TURN-LIMIT DEVICE



Turn restrictor 191
Clearance 12 mm
selectable end position
infinity adjustable friction



110303

TITLE: OUTSWING CASEMENT		INCHES		MM		INCHES		MM	
scale: 1/2		A	3.15	80	F	6.89	175		
file: 03catalogue\sections\casement\CSMT-1		B	2.28	58	G	0.59	15		
HH WINDOWS & DOORS		C	1.54	39	H	2.36	60		
tel: 206-763-3438 fax: 206-527-8724 www.hhwindows.com		D	3.98	101	I	2.01	51		
# 8		E	2.36	60	J				